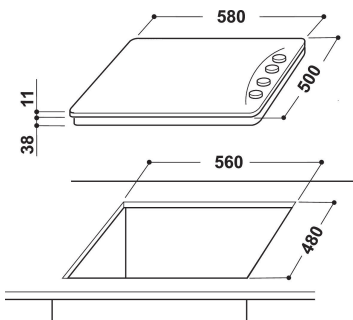


# PAA 642 /I(WH) EE

12NC: F100512

GTIN (EAN) code: 8050147005125

 **INDESIT**  
Life proof.



## MAIN FEATURES

Product group	Hob
Construction type	Vstavaná
Type of control	Mechanical
Type of control settings	Knob
Number of gas burners	4
Number of electric cooking zones	0
Number of electric plates	0
Number of radiant plates	0
Number of halogen plates	0
Number of induction plates	0
Number of electric warming zones	0
Location of control panel	Lateral
Basic surface material	Sheetmetal
Main colour of product	White
Electrical connection rating (W)	0
Gas connection rating (W)	0
Gas type	Methane
Current (A)	-
Voltage (V)	220-240
Frequency (Hz)	50/60
Length of Electrical Supply Cord (cm)	100
Plug type	Nie
Gas connection	N/A
Width of the product	580
Height of the product	33
Depth of the product	510
Minimum niche height	0
Minimum niche width	555
Niche depth	475
Net weight (kg)	8.7
Automatic programmes	Nie

## TECHNICAL FEATURES

Power on indicator	Nie
Number of indicators	0
Type of regulation	Fast
Type of lid	Without
Residual heat indicator	Without
Main on/off switch	Nie
Safety device	Nie
Timer	Nie

## ENERGETICKÝ ŠTÍTK

Energy input

Plynová